

NFC-506AB FIRE ALARM BELL (Motor Driven)

PRODUCT OVERVIEW MODEL: NFC-506AB

APPLICATIONS

NFC-506AB Alarm Bells are low –current, audible signaling devices for use in fire alarm systems or other signaling applications all over the world. They can be used in schools, factories, office buildings or private residences. their low current consumption means additional savings on standby power.NFC-506AB fire alarm bell provide durable and dependable operation Required for life safety alarm systems.

NFC-506AB is available in 6” housing and listed for indoor applications and designed to meet EN54-3

NFC-506AB certified CE QACE20241069 ⁽¹⁾ which play a vital role in ensuring that NEVERFIRE products placed on the market of the world are safe. NFC-506AB certified ISO9001:2015⁽¹⁾ Quality management systems and requirements, which is global standard for trusted goods and services.



NEVERFIRE APPROVALS		PRODUCT COMPLIANCE
ISO 9001:2015 CERTIFIED	CE QACE202401069	EN54-3

FEATURES

- √ Low Operating Current
- √ Under-dome Design
- √ TWO wire 24VDC operation
- √ Available in red metal finish
- √ NFC506AB Fire alarm bell internally by a 24V DC motor driven by the crankshaft and connecting rod bells, no relays work, work current, high reliability.
- √ NFC-506AB shall produce a peak sound output of 95dB or greater as measured in an anechoic chamber in EOS and NIS organizations. Sound level for indoor installations may vary depending on the bell spacing. the device shall be polarized to allow for electrical supervision of the wiring system.
- √ Indoor Installation
- √ High Output Level
- √ base plate for all types of location.



(1) you can view & download these certificates from ASSS website www.asss-eg.com

NFC-506AB FIRE ALARM BELL (Motor Driven)

TECHNICAL SPECIFICATIONS	
MODEL NUMBER	NFC-506AB
Gong Size	6 Inch
Sound Pressure	≥95dB
Rated Voltage	21VDC TO 26VDC
Rated Current	50mA@24VDC
Base	Black ABS (Fire Proof Plastic)
Operating Temperature	-10°C TO +50°C
Weight	700g.
Body Color	Red
Packaging	24Unit\Carton
Carton Dimensions	55*33*38cm

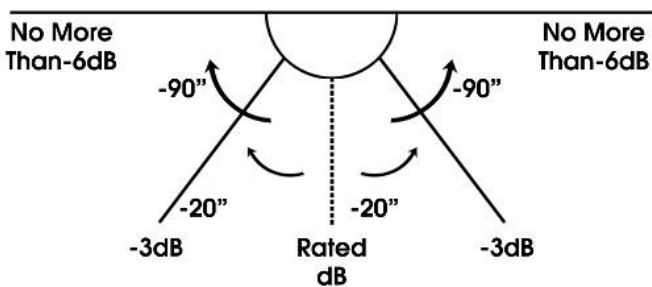
WARRANTY

NEVERFIRE warrants that product from defects in design, materials and workmanship during the warranty period ensuring customers' confidence in product quality and performance.

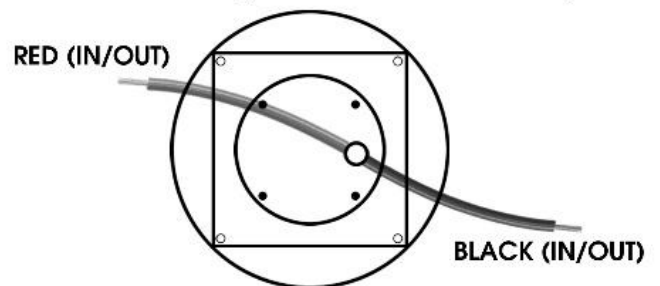
For comprehensive information, including installation guidelines and compatibility details, please consult NEVERFIRE Installation Manual or reach out to our technical support team. Anybody, including the agents, distributors or employees, is not in the position to amend the contents of this warranty.

HORIZONTAL AXIS & WIRING DIAGRAM

Horizontal Axis

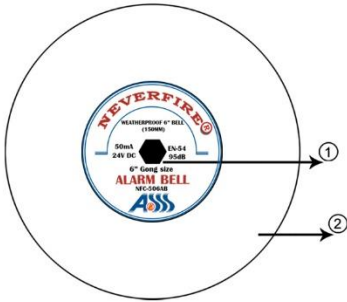


Wiring (Rear View) D.C Bells (OBSERVE POLARITY)

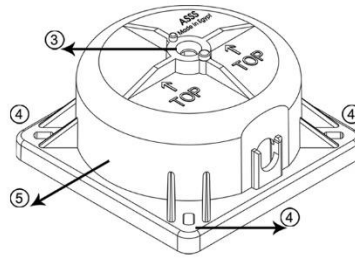


NFC-506AB FIRE ALARM BELL (Motor Driven)

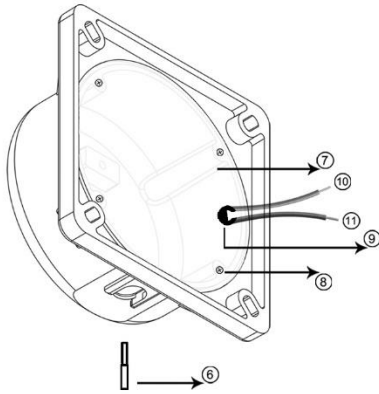
MOUNTING AND WIRING INSTRUCTIONS



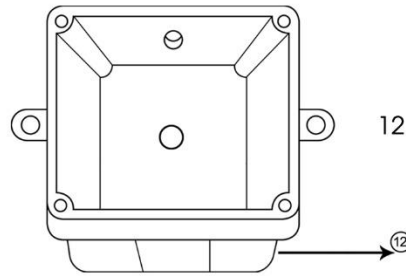
1. Hex Bolt
2. 6" Dia Gong (150mm)



3. Hex Nut 8"
4. Mounting Screw (4 Pcs)
5. Black ABS Base



6. Striker
7. Back Cover Plate
8. Back Cover Mounting Screw (4 Pcs)
9. Cable Gland 1.6mm
10. 1mm Red Cable (In/out)
11. 1mm Black Cable (In/out)



12. 4" Square Outlet Box (Supplied by others)

INSTALLATION INSTRUCTIONS

1. Remove the bell gong by loosening hex bolt.
2. Wire the bell in the circuit (Notice Polarity).
3. The bell must be mounted a minimum of 8ft above the floor, or as close to the Ceiling as possible.
4. Place the gong tighten hex bolt.
5. Polarized bell provides red (+) and black (-) lead wires.

NOTES

- . Motor NFC-506AB fire alarm bell for indoor use.
- . Motor NFC-506AB fire alarm bell attached to waterproof box for outdoor use.



CAUTIONS

1. Do not apply power to bell until installation has been completed.
2. Always disconnect all Power before servicing or cleaning bell.

PRODUCT CONTENTS

1. Alarm Bell 6 Inch.
2. Screw 3.5cm,6mm (4pcs).
3. Feshar 6mm (4pcs).
4. Installation Diagram.